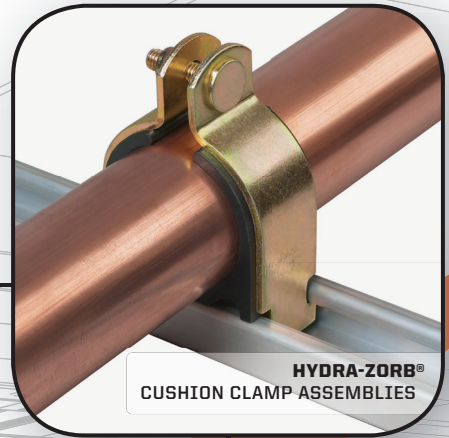


THE ORIGINAL CUSHION CLAMP | SINCE 1966

HYDRA- H7ORB[®]



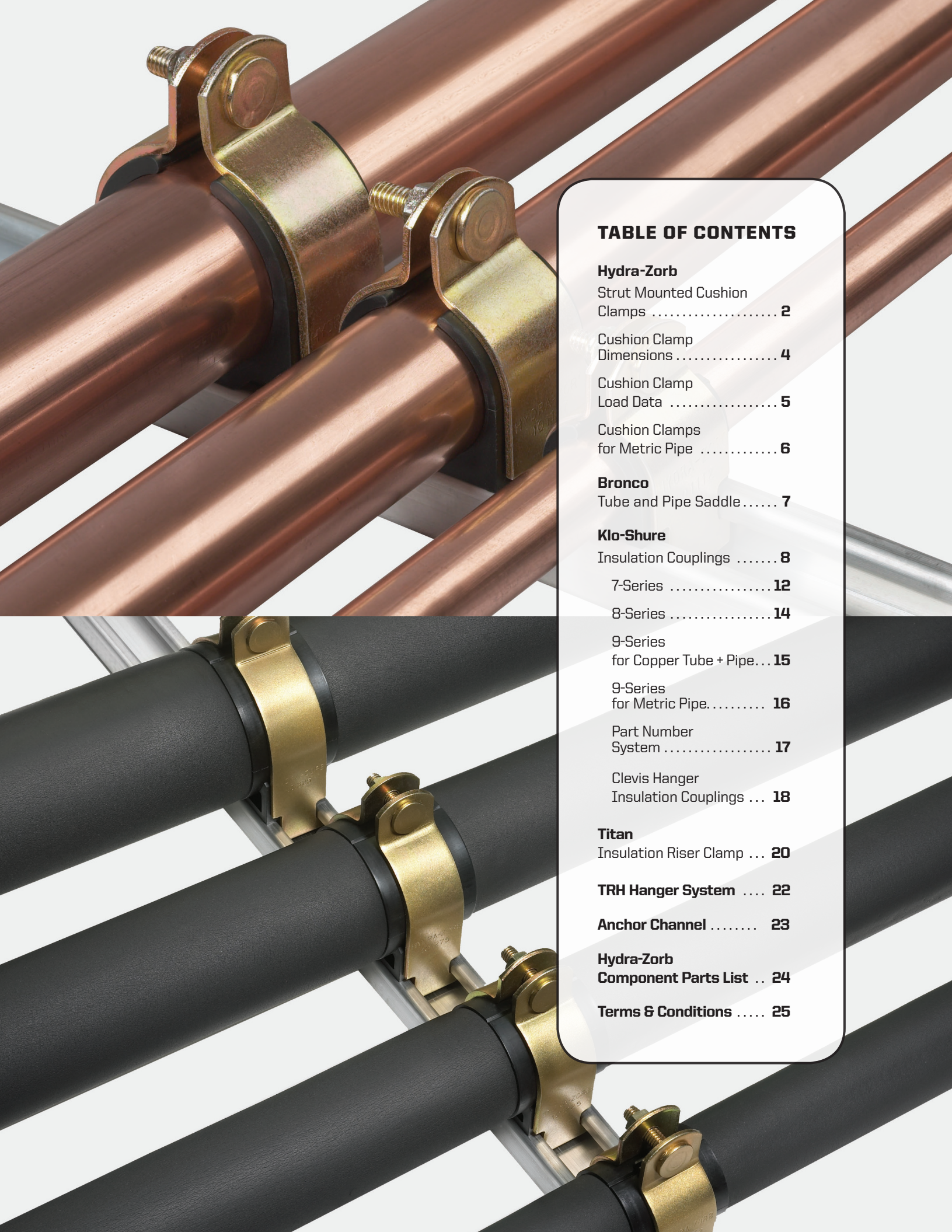


TABLE OF CONTENTS

Hydra-Zorb
Strut Mounted Cushion
Clamps **2**

Cushion Clamp
Dimensions **4**

Cushion Clamp
Load Data **5**

Cushion Clamps
for Metric Pipe **6**

Bronco
Tube and Pipe Saddle **7**

Klo-Shure
Insulation Couplings **8**

 7-Series **12**

 8-Series **14**

 9-Series
 for Copper Tube + Pipe... **15**

 9-Series
 for Metric Pipe..... **16**

 Part Number
 System **17**

 Clevis Hanger
 Insulation Couplings ... **18**

Titan
Insulation Riser Clamp ... **20**

TRH Hanger System **22**

Anchor Channel **23**

**Hydra-Zorb
Component Parts List** .. **24**

Terms & Conditions **25**



Hydra-Zorb Co. has been the leader in the strut mounted clamp market for over 50 years, offering a wide variety of solutions when shock, vibration and corrosion are a problem.

As the originator of the cushion clamp assembly, Hydra-Zorb is the name to request in the fluid power, pneumatic, HVAC, refrigeration, and plumbing/mechanical industries.

Hydra-Zorb employs cutting-edge technology to manufacture quality products right here in the USA. Moving manufacturing overseas may be easier. It may be cheaper. But that doesn't mean everyone is doing it. Hydra-Zorb built a new 52,000 square-foot manufacturing facility, **to manufacture all of our products in the USA, saving our customers time and shipping expenses.**

We offer custom fabricating services as well. You can count on us to provide you with excellent quality, paired with timely and courteous service. When it comes to needing specialized custom fabricating, please contact our factory and let us take care of your unique needs.

We look forward to working with you.

The Hydra-Zorb Team

STRUT MOUNTED CUSHION CLAMP



Features:

- **Made in USA**
- **Classified 2043 (25/50) for use in plenums and air handling systems**
- Clamps are 1008-1010 carbon steel
- Eliminate shock and vibration
- Studs are projection welded
- Nylon insert locknut
- Resist most fuels, oils, gases, greases, solvents, mineral acids and other harsh materials
- Allow fluid conductors to be added or removed from installations without disturbing adjacent lines
- Assembled or disassembled with a single hand or power wrench for fast and simple installation
- Permit various size lines to be mixed to suit installation
- All metal components have a Tri-Valent (non-hex) plating
- Available in 304 and 316 stainless steel and aluminum
- Cushion material is a thermoplastic elastomer
- Temperature rating: -65°F to +275°F

PART NUMBER SYSTEM

Ordering is simple. First, determine if you require tube or pipe series. Second, determine the size of line to be clamped. That's it.

Example for 3/4" O.D. tube assembly:

SERIES DECIMAL INCH

100 075

Example for 2-1/2" nominal pipe assembly:

SERIES DECIMAL INCH

200 250

All standard clamp assemblies consist of a 6-digit part number. A complete listing of part numbers for the pipe and tube series is on pages 5-6. The clamp assemblies are shown by series 100 and 200 as:

100 = TUBE (O.D. Tube)

200 = PIPE (Nominal Pipe)

Cushion Size is indicated by decimal inch. See examples above.

ADDITIONAL MATERIALS

These are commonly requested materials for special applications.
Just add one of the following suffix numbers to your 6-digit part number.

SERIES	DECIMAL INCH	SUFFIX	
_____	_____	- 4 - 555	304 stainless steel clamps 304 stainless stud (welded) 304 locknut
_____	_____	- 4 - 565	304 stainless steel clamps 316 hex head bolt (loose) 304 locknut
_____	_____	- 4 - 655	316 stainless steel clamps 304 stainless stud (welded) 304 locknut
_____	_____	- 4 - 666	316 stainless steel clamps 316 hex head bolt (loose) 316 locknut
_____	_____	- 4 - 865	aluminum (5052) clamps* 316 hex head bolt (loose) 304 locknut

* Special Orders Only



CUSHION CLAMP DIMENSIONS

TUBE

PART NO.	O.D.	A	B	C	*D
100025	1/4"	1.11	.22	.075	.62
100031	5/16"	1.24	.28	.075	.75
100037	3/8"	1.24	.28	.075	.75
100047	.47"	1.36	.34	.075	.87
100050	1/2"	1.36	.34	.075	.87
100062	5/8"	1.50	.41	.075	1.00
100075	3/4"	1.78	.53	.075	1.33
100087	7/8"	1.91	.58	.075	1.45
100100	1"	2.03	.66	.075	1.66
100112	1-1/8"	2.16	.72	.075	1.79
100119	1.19"	2.30	.72	.105	1.92
100125	1-1/4"	2.30	.78	.105	1.92
100137	1-3/8"	2.75	.91	.119	2.22
100150	1-1/2"	2.75	.91	.119	2.22
100162	1-5/8"	3.03	1.03	.119	2.47
100175	1-3/4"	3.03	1.03	.119	2.47
100187	1-7/8"	3.28	1.16	.119	2.47
100200	2"	3.28	1.16	.119	2.72
100212	2-1/8"	3.53	1.28	.119	2.97
100225	2-1/4"	3.78	1.41	.119	3.22
100237	2-3/8"	3.78	1.41	.119	3.22
100251	2-1/2"	4.03	1.53	.119	3.47
100262	2-5/8"	4.03	1.53	.119	3.47
100300	3"	4.52	1.78	.119	3.97
100312	3-1/8"	4.52	1.78	.119	3.97
100362	3-5/8"	5.03	2.03	.119	4.47
100412	4-1/8"	5.66	2.34	.119	5.09
100500	5"	6.75	2.81	.119	6.25
100512	5-1/8"	6.75	2.81	.119	6.25
100600	6"	7.75	3.31	.119	7.50
100612	6-1/8"	7.75	3.31	.119	7.50

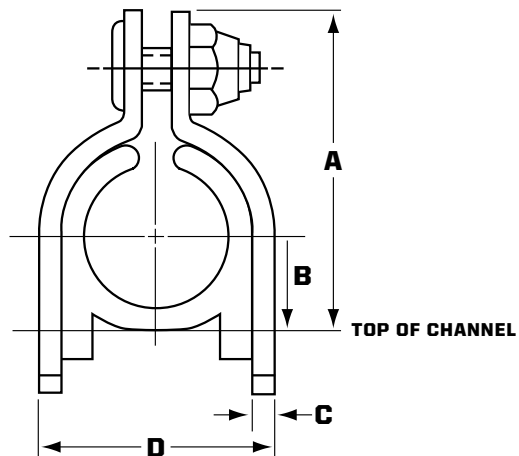
* Minimum Required Installation Dimension

NOMINAL PIPE

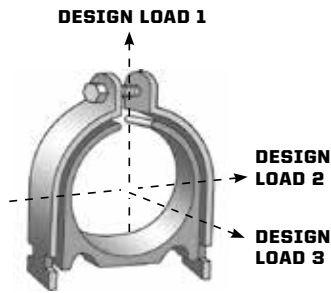
PART NO.	I.P.S.	A	B	C	*D
200025	1/4"	1.41	.63	.075	.91
200037	3/8"	1.59	.45	.075	1.07
200050	1/2"	1.91	.59	.075	1.45
200075	3/4"	2.16	.72	.075	1.79
200100	1"	2.75	.91	.119	2.22
200125	1-1/4"	3.03	1.03	.119	2.47
200150	1-1/2"	3.28	1.16	.119	2.47
200200	2"	3.78	1.41	.119	3.22
200250	2-1/2"	4.27	1.66	.119	3.72
200300	3"	4.91	1.97	.119	4.63
200350	3-1/2"	5.53	2.28	.119	4.97
200400	4"	6.03	2.53	.119	5.47
200500	5"	7.03	3.03	.119	6.47
200600	6"	8.03	3.53	.119	7.47
200800	8"	10.61	5.00	.119	9.36

* Minimum required installation dimension

For Hoses: Measure hose outside diameter & select nearest OD size.



CUSHION CLAMP LOAD DATA



TUBE

PART NO.	O.D.	DESIGN LOAD 1		DESIGN LOAD 2		DESIGN LOAD 3	
100025	1/4"	400 LBS	(1.78) KN	50 LBS	(0.22) KN	50 LBS	(0.22) KN
100037	3/8"	400 LBS	(1.78) KN	50 LBS	(0.22) KN	50 LBS	(0.22) KN
100050	1/2"	400 LBS	(1.78) KN	50 LBS	(0.22) KN	50 LBS	(0.22) KN
100062	5/8"	400 LBS	(1.78) KN	50 LBS	(0.22) KN	50 LBS	(0.22) KN
100075	3/4"	600 LBS	(2.67) KN	75 LBS	(0.33) KN	75 LBS	(0.33) KN
100087	7/8"	600 LBS	(2.67) KN	75 LBS	(0.33) KN	75 LBS	(0.33) KN
100100	1"	600 LBS	(2.67) KN	75 LBS	(0.33) KN	75 LBS	(0.33) KN
100112	1-1/8"	600 LBS	(2.67) KN	75 LBS	(0.33) KN	75 LBS	(0.33) KN
100125	1-1/4"	600 LBS	(2.67) KN	75 LBS	(0.33) KN	75 LBS	(0.33) KN
100137	1-3/8"	600 LBS	(2.67) KN	75 LBS	(0.33) KN	75 LBS	(0.33) KN
100150	1-1/2"	600 LBS	(2.67) KN	75 LBS	(0.33) KN	75 LBS	(0.33) KN
100162	1-5/8"	600 LBS	(2.67) KN	75 LBS	(0.33) KN	75 LBS	(0.33) KN
100175	1-3/4"	800 LBS	(3.56) KN	125 LBS	(0.56) KN	125 LBS	(0.56) KN
100187	1-7/8"	800 LBS	(3.56) KN	125 LBS	(0.56) KN	125 LBS	(0.56) KN
100200	2"	800 LBS	(3.56) KN	125 LBS	(0.56) KN	125 LBS	(0.56) KN
100212	2-1/8"	800 LBS	(3.56) KN	125 LBS	(0.56) KN	125 LBS	(0.56) KN
100225	2-1/4"	800 LBS	(3.56) KN	125 LBS	(0.56) KN	125 LBS	(0.56) KN
100237	2-3/8"	800 LBS	(3.56) KN	125 LBS	(0.56) KN	125 LBS	(0.56) KN
100251	2-1/2"	800 LBS	(3.56) KN	125 LBS	(0.56) KN	125 LBS	(0.56) KN
100262	2-5/8"	800 LBS	(3.56) KN	125 LBS	(0.56) KN	125 LBS	(0.56) KN
100300	3"	800 LBS	(3.56) KN	125 LBS	(0.56) KN	125 LBS	(0.56) KN
100312	3-1/8"	800 LBS	(3.56) KN	125 LBS	(0.56) KN	125 LBS	(0.56) KN
100362	3-5/8"	1000 LBS	(4.45) KN	200 LBS	(0.89) KN	150 LBS	(0.67) KN
100412	4-1/8"	1000 LBS	(4.45) KN	200 LBS	(0.89) KN	150 LBS	(0.67) KN
100512	5-1/8"	1000 LBS	(4.45) KN	200 LBS	(0.89) KN	150 LBS	(0.67) KN
100612	6-1/8"	1000 LBS	(4.45) KN	200 LBS	(0.89) KN	150 LBS	(0.67) KN

NOMINAL PIPE

PART NO.	I.P.S.	DESIGN LOAD 1		DESIGN LOAD 2		DESIGN LOAD 3	
200025	1/4"	400 LBS	(1.78) KN	50 LBS	(0.22) KN	50 LBS	(0.22) KN
200037	3/8"	600 LBS	(2.67) KN	75 LBS	(0.33) KN	75 LBS	(0.33) KN
200050	1/2"	600 LBS	(2.67) KN	75 LBS	(0.33) KN	75 LBS	(0.33) KN
200075	3/4"	600 LBS	(2.67) KN	75 LBS	(0.33) KN	75 LBS	(0.33) KN
200100	1"	600 LBS	(2.67) KN	75 LBS	(0.33) KN	75 LBS	(0.33) KN
200125	1-1/4"	800 LBS	(3.56) KN	125 LBS	(0.56) KN	125 LBS	(0.56) KN
200150	1-1/2"	800 LBS	(3.56) KN	125 LBS	(0.56) KN	125 LBS	(0.56) KN
200200	2"	800 LBS	(3.56) KN	125 LBS	(0.56) KN	125 LBS	(0.56) KN
200250	2-1/2"	800 LBS	(3.56) KN	125 LBS	(0.56) KN	125 LBS	(0.56) KN
200300	3"	1000 LBS	(4.45) KN	200 LBS	(0.89) KN	150 LBS	(0.67) KN
200350	3-1/2"	1000 LBS	(4.45) KN	200 LBS	(0.89) KN	150 LBS	(0.67) KN
200400	4"	1000 LBS	(4.45) KN	200 LBS	(0.89) KN	150 LBS	(0.67) KN
200500	5"	1000 LBS	(4.45) KN	200 LBS	(0.89) KN	150 LBS	(0.67) KN
200600	6"	1000 LBS	(4.45) KN	200 LBS	(0.89) KN	150 LBS	(0.67) KN
200800	8"	1000 LBS	(4.45) KN	200 LBS	(0.89) KN	150 LBS	(0.67) KN

Note: Full size range available upon request.

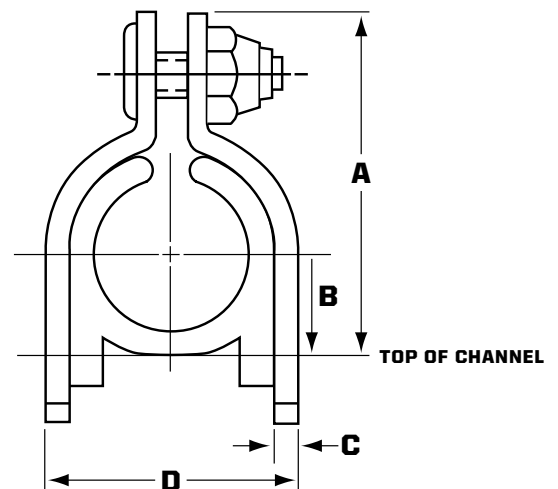
CUSHION CLAMPS FOR METRIC PIPE



Features:

- **Made in USA**
- **Classified 2043 (25/50) for use in plenums and air handling systems**
- Clamps are 1008-1010 carbon steel
- Eliminate shock and vibration
- Studs are projection welded
- Nylon insert locknut
- Resist most fuels, oils, gases, greases, solvents, mineral acids and other harsh materials
- Allow fluid conductors to be added or removed from installations without disturbing adjacent lines
- Assembled or disassembled with a single hand or power wrench or fast and simple installation
- Permit various size lines to be mixed to suit installation
- All metal components have a Tri-Valent (non-hex) plating
- Available in 304 and 316 stainless steel and aluminum
- Cushion material is a thermoplastic elastomer
- Temperature rating: -65°F to +275°F

PART NO.	DESCRIPTION	A	B	C	D
20MMHZ	20mm Clamp Assembly	1.78	0.53	0.07	1.33
25MMHZ	25mm Clamp Assembly	2.03	0.66	0.07	1.66
32MMHZ	32mm Clamp Assembly	2.30	0.78	0.07	1.92
40MMHZ	40mm Clamp Assembly	2.75	0.91	0.11	2.22
50MMHZ	50mm Clamp Assembly	3.28	1.16	0.11	2.72
63MMHZ	63mm Clamp Assembly	4.03	1.53	0.11	3.47
75MMHZ	75mm Clamp Assembly	4.52	1.78	0.11	3.97
90MMHZ	90mm Clamp Assembly	4.91	1.97	0.11	4.36
110MMHZ	110mm Clamp Assembly	5.76	2.44	0.11	5.30
125MMHZ	125mm Clamp Assembly	6.55	2.71	0.11	6.15
160MMHZ	160mm Clamp Assembly	7.95	3.41	0.11	7.70



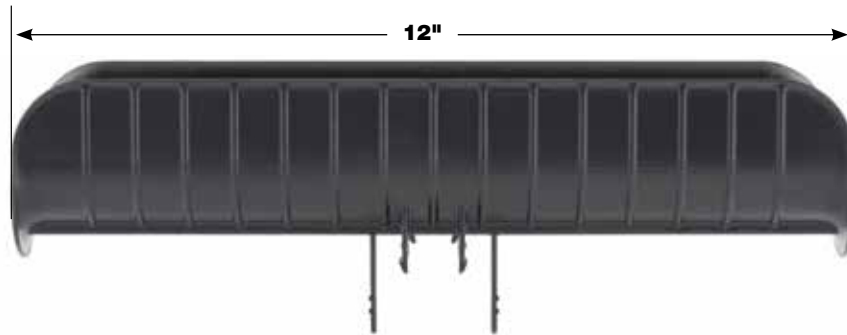
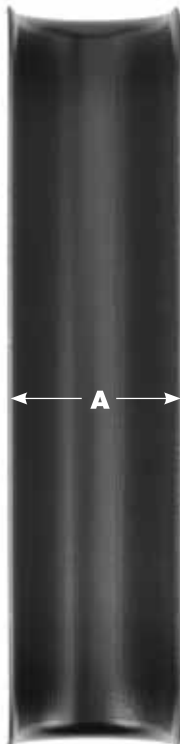
* Additional sizes available (see page 24).

BRONCO® SADDLE FOR INSULATED TUBE AND PIPE



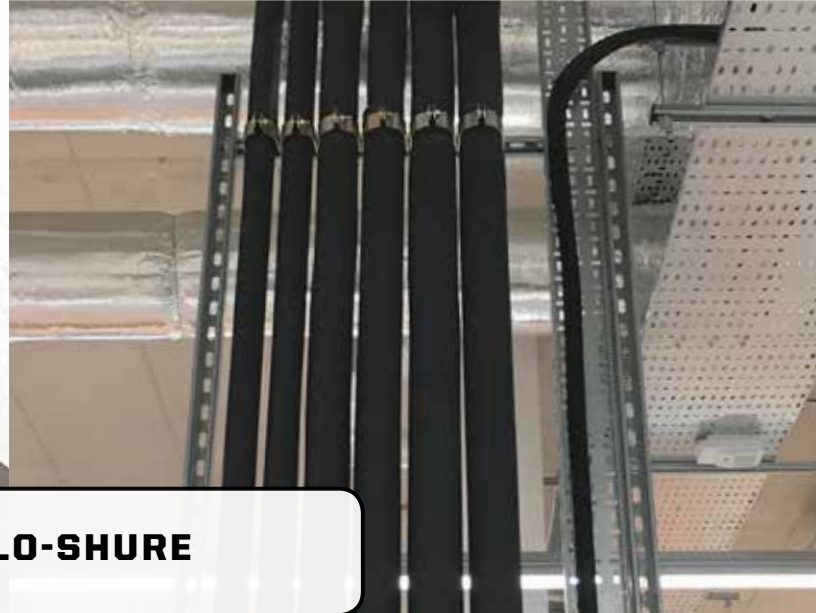
Features:

- Made in USA
- Classified 2043 (25/50) for use in plenums and air handling systems
- Available in black or white to match insulation
- Fits perfectly on anchor channel of any depth
- Plastic legs snap into channel
- External stability tabs with grooved slot feature for optional self-tapping screw (installer supplied)
- Single piece product—no assembly or tools required
- Enhanced safety lip prevents insulation crushing and tearing from pipe movement
- Molded with high-strength polypropylene copolymer
- UV resistant
- Temperature rating: -40°F to +178°F
- Available for 2-1/4" to 8-1/4" O.D.



PART NO. (BLACK)	PART NO. (WHITE)	A
HZSB225	HZSW225	2-1/4"
HZSB325	HZSW325	3-1/4"
HZSB425	HZSW425	4-1/4"
HZSB525	HZSW525	5-1/4"
HZSB625	HZSW625	6-1/4"
HZSB825	HZSW825	8-1/4"

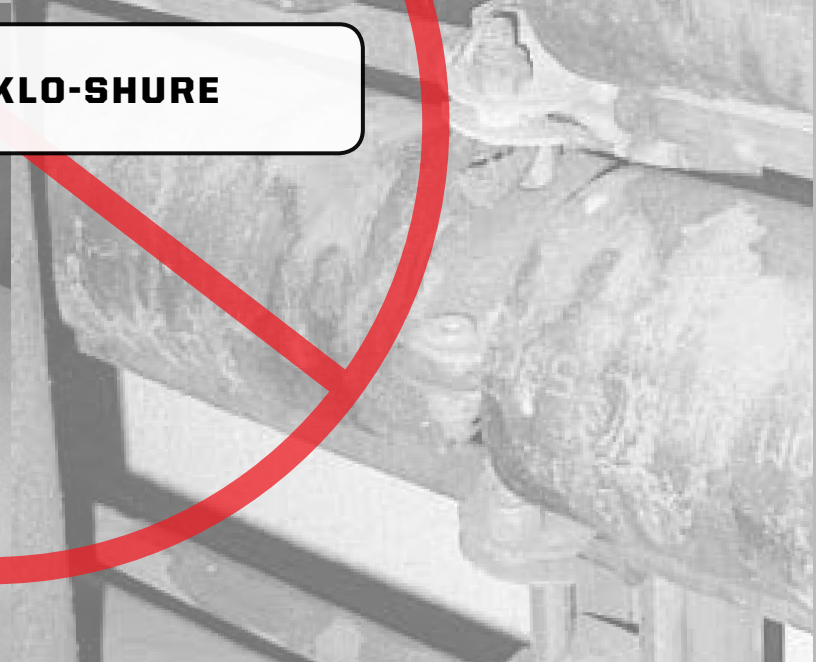




WITH KLO-SHURE



WITHOUT KLO-SHURE





7-Series Strut Mount



8-Series Strut Mount



9-Series Strut Mount



Clevis System



Patented Klo-Shure® Insulation Couplings allow sections of closed-cell, elastomeric or fiberglass insulation to be secured, eliminating most secondary operations at suspension points. It can also be used to simply join and secure two lengths of insulation.



KLO-SHURE INSULATION COUPLINGS

Classified 2043 (25/50) for use in plenums and air handling systems.
Available for copper tube, iron pipe and metric sizes.
Easy to install.

7-Series Strut Mount



Supports & secures tubing in strut mounted applications. For elastomeric insulation.

8-SERIES STRUT MOUNT



Install in seconds without metal clamps.

9-SERIES STRUT MOUNT

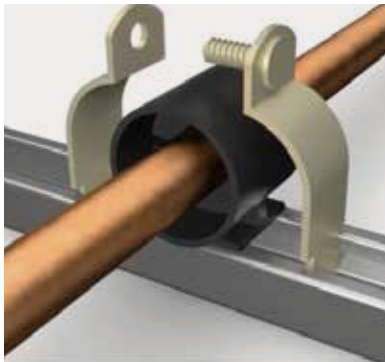
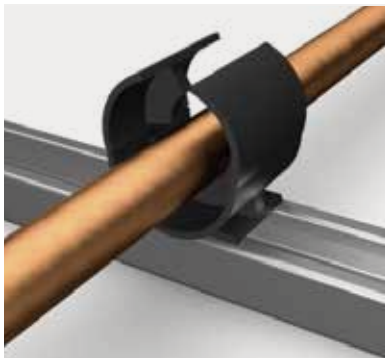


For fiberglass insulation, available in copper tube, iron pipe and mm sizing.

CLEVIS SYSTEM



Coupling locks into clevis hanger.



Features:

- **Made in USA**
- **Classified 2043 (25/50) for use in plenums and air handling systems**
- Manufactured from high strength TPO plastic
- Superior vapor barrier
- Three times faster installation of closed-cell elastomeric and fiberglass insulation
- Dramatically improved finished appearance of insulated tubing
- Eliminates insulation compression at suspension points
- For use with strut mounted clamps and clevis hangers
- Supports OD tube from 1/4" to 4-1/8" and 1/2" to 3" nominal pipe
- Metric sizes available from 25mm – 110mm
- Available with 304 or 316 stainless steel hardware

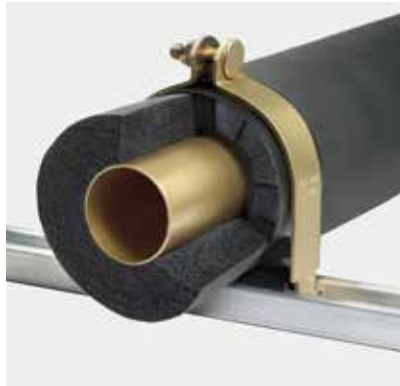
Specification Data & Guidelines:

- All insulated copper tube and iron pipe lines are to be secured using resilient Klo-Shure Insulation Couplings and Hydra-Zorb anchor channel
- Tubing supported and secured by internal part design
- Insulation to be inserted inside coupling with insulation contacting internal wall
- Secondary operations (glue + tape) can be performed at installer's discretion
- Entire assembly can be assembled or disassembled with a single hand or power wrench
- Coupling spacing should be no more than 60 diameters.
- Keep conductor runs as straight as possible.
- Overwrap of Klo-Shure coupling with insulation is not required
- 7-Series and 9-Series acceptable for horizontal and vertical installations
- 8-Series acceptable for horizontal installations

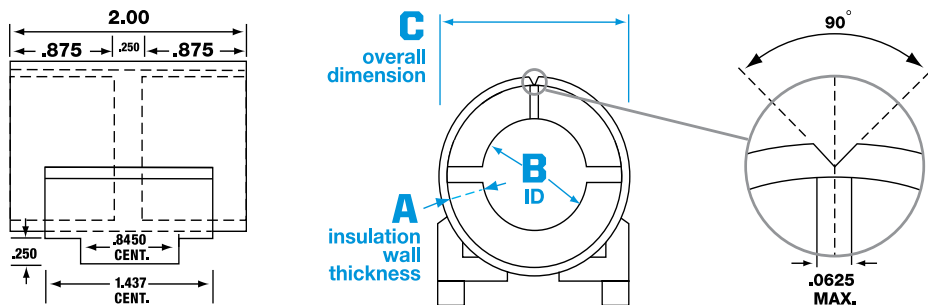
7-SERIES STRUT MOUNT INSULATION COUPLINGS

For use with elastomeric insulation.

Klo-Shure strut mounted parts include the Klo-Shure Coupling, clamp halves with welded fastener and locknut.



A	B	C	PART NO.	QUANTITY PER BOX
Klo-Shure® Strut Mounted Coupling for 3/8" wall insulation	1/4" OD	1.12	723025	40
	3/8" OD	1.25	723037	25
	1/2" OD	1.37	723050	20
	5/8" OD	1.50	723062	20
	3/4" OD	1.62	723075	20
	7/8" OD	1.75	723087	20
	1" OD	1.87	723100	20
	1-1/8" OD	2.00	723112	20
	1-3/8" OD	2.25	723137	20
	1-5/8" OD	2.50	723162	10
	2-1/8" OD	3.00	723212	10
	Klo-Shure® Strut Mounted Coupling for 1/2" wall insulation	1/4" OD	1.37	724025
3/8" OD		1.50	724037	25
1/2" OD		1.62	724050	20
5/8" OD		1.75	724062	20
3/4" OD		1.87	724075	20
7/8" OD		2.00	724087	20
1" OD		2.12	724100	20
1-1/8" OD		2.25	724112	20
1-3/8" OD		2.50	724137	20
1-5/8" OD		2.75	724162	10
2-1/8" OD		3.25	724212	10
2-5/8" OD		3.75	724262	10
3-1/8" OD		4.25	724312	10
3-5/8" OD		4.75	724362	10
4-1/8" OD		5.25	724412	10



A	B	C	PART NO.	QUANTITY PER BOX
Klo-Shure® Strut Mounted Coupling for 3/4" wall insulation	1/4" OD	1.87	726025	20
	3/8" OD	2.00	726037	20
	1/2" OD	2.12	726050	10
	5/8" OD	2.25	726062	10
	3/4" OD	2.37	726075	10
	7/8" OD	2.50	726087	10
	1-1/8" OD	2.75	726112	10
	1-3/8" OD	3.00	726137	10
	1-5/8" OD	3.25	726162	10
	2-1/8" OD	3.75	726212	10
	2-5/8" OD	4.25	726262	10
	3-1/8" OD	4.75	726312	10
	3-5/8" OD	5.25	726362	10
4-1/8" OD	5.75	726412	10	
Klo-Shure® Strut Mounted Coupling for 1" wall insulation	1/4" OD	2.37	728025	10
	5/16" OD	2.43	728031	10
	3/8" OD	2.50	728037	10
	1/2" OD	2.62	728050	10
	5/8" OD	2.75	728062	10
	3/4" OD	2.87	728075	10
	7/8" OD	3.00	728087	10
	1-1/8" OD	3.25	728112	10
	1-3/8" OD	3.50	728137	10
	1-5/8" OD	3.75	728162	10
	2-1/8" OD	4.25	728212	10
	2-5/8" OD	4.75	728262	10
	3-1/8" OD	5.25	728312	10
3-5/8" OD	5.75	728362	10	
4-1/8" OD	6.25	728412	5	
Klo-Shure® Strut Mounted Coupling for 1-1/2" wall insulation	5/16" OD	3.43	729031	10
	3/8" OD	3.50	729037	10
	1/2" OD	3.62	729050	10
	5/8" OD	3.75	729062	10
	7/8" OD	4.00	729087	10
	1-1/8" OD	4.25	729112	10
	1-3/8" OD	4.50	729137	10
	1-5/8" OD	4.75	729162	10
	2-1/8" OD	5.25	729212	10
	2-5/8" OD	5.75	729262	10
	3-1/8" OD	6.25	729312	5
4-1/8" OD	7.25	729412	5	

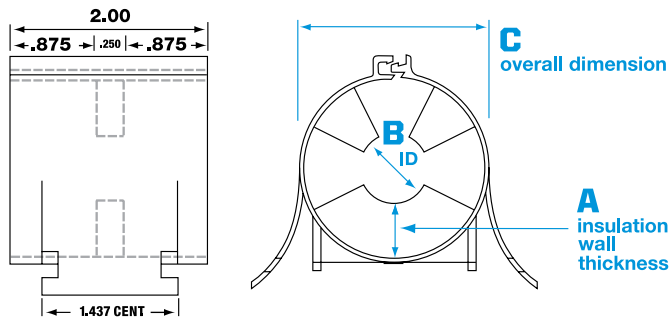
*Note: All metal parts have Tri-Valent plating. Please contact factory for 304 and 316 stainless steel hardware part numbers & pricing.



8-SERIES STRUT MOUNT INSULATION COUPLINGS

For use with elastomeric insulation.

Klo-Shure 8-Series couplings allow the installer to insert coupling into the channel and lock the top. No metal clamps needed.



A	B	C	PART NO.
Klo-Shure® Coupling for 1/2" wall insulation	1/2" OD	1.62	824050
	5/8" OD	1.75	824062
	7/8" OD	2.00	824087
	1-1/8" OD	2.25	824112
	1-3/8" OD	2.50	824137
	1-5/8" OD	2.75	824162
	2-1/8" OD	3.25	824212
Klo-Shure® Coupling for 3/4" wall insulation	5/8" OD	2.25	826062
	7/8" OD	2.50	826087
	1-1/8" OD	2.75	826112
	1-3/8" OD	3.00	826137
Klo-Shure® Coupling for 1" wall insulation	7/8" OD	3.00	828087
	1-1/8" OD	3.25	828112
	1-3/8" OD	3.50	828137
	1-5/8" OD	3.75	828162
	2-1/8" OD	4.25	828212
	2-5/8" OD	4.75	828262



9-SERIES STRUT MOUNT INSULATION COUPLINGS

For use with fiberglass insulation.

For copper tube and nominal pipe sizes. Includes Klo-Shure Coupling, clamp halves with welded fastener and locknut.

COPPER TUBE	A	B	C	PART NO.	QUANTITY PER BOX
Klo-Shure® Strut Mounted Coupling copper tube sizes for 1/2" wall fiberglass insulation	5/8" OD	1.785	924062	20	
	7/8" OD	2.025	924087	20	
	1-1/8" OD	2.285	924112	20	
	1-3/8" OD	2.500	924137	10	
	1-5/8" OD	2.845	924162	10	
	2-1/8" OD	3.285	924212	10	
Klo-Shure® Strut Mounted Coupling copper tube sizes for 1" wall fiberglass insulation	5/8" OD	3.008	928062	10	
	7/8" OD	3.008	928087	10	
	1-1/8" OD	3.008	928112	10	
	1-3/8" OD	3.638	928137	10	
	1-5/8" OD	3.638	928162	10	
	2-1/8" OD	4.138	928212	10	
	2-5/8" OD	4.648	928262	10	
	3-1/8" OD	5.138	928312	10	
	3-5/8" OD	5.690	928362	10	
Klo-Shure® Strut Mounted Coupling copper tube sizes for 1-1/2" wall fiberglass insulation	4-1/8" OD	6.870	928412	5	
	5-1/8" OD	7.870	928512	5	
	7/8" OD	4.138	929087	10	
	1-1/8" OD	4.138	929112	10	
	1-3/8" OD	4.648	929137	10	
	1-5/8" OD	5.138	929162	10	
	2-1/8" OD	5.138	929212	10	
	2-5/8" OD	5.690	929262	10	
Klo-Shure® Strut Mounted Coupling copper pipe sizes for 2" wall fiberglass insulation	3-1/8" OD	6.870	929312	5	
	3-5/8" OD	6.870	929362	5	
	4-1/8" OD	7.870	929412	5	
	5/8" OD	4.648	922062	10	
	7/8" OD	5.138	922087	10	
	1-1/8" OD	5.138	922112	10	
	1-3/8" OD	5.698	922137	10	
	1-5/8" OD	5.698	922162	5	
IRON PIPE	2-1/8" OD	6.870	922212	5	
	2-5/8" OD	6.870	922262	5	
	3-1/8" OD	7.870	922312	5	
	3-5/8" OD	7.870	922362	5	
	1/2" pipe (0.84 OD)	2.025	924084	20	
	3/4" pipe (1.05 OD)	2.285	924105	20	
	1" pipe (1.31 OD)	2.500	924131	10	
	1-1/4" pipe (1.66 OD)	2.845	924166	10	
	1-1/2" pipe (1.90 OD)	3.285	924190	10	
	Klo-Shure® Strut Mounted Coupling iron pipe sizes for 1/2" wall fiberglass insulation	1/2" pipe (0.84 OD)	3.008	928084	10
		3/4" pipe (1.05 OD)	3.008	928105	10
		1" pipe (1.31 OD)	3.638	928131	10
		1-1/4" pipe (1.66 OD)	3.638	928166	10
		1-1/2" pipe (1.90 OD)	3.950	928190	10
		2" pipe (2.37 OD)	4.648	928237	10
2-1/2" pipe (2.87 OD)		5.138	928287	10	
Klo-Shure® Strut Mounted Coupling iron pipe sizes for 1" wall fiberglass insulation	3" pipe (3.50 OD)	5.750	928350	5	
	1/2" pipe (0.84 OD)	4.138	929084	10	
	3/4" pipe (1.05 OD)	4.138	929105	10	
	1" pipe (1.31 OD)	4.648	929131	10	
	1-1/4" pipe (1.66 OD)	5.138	929166	10	
	1-1/2" pipe (1.90 OD)	5.138	929190	10	
	1-1/2" pipe (1.90 OD)	5.138	929190	10	

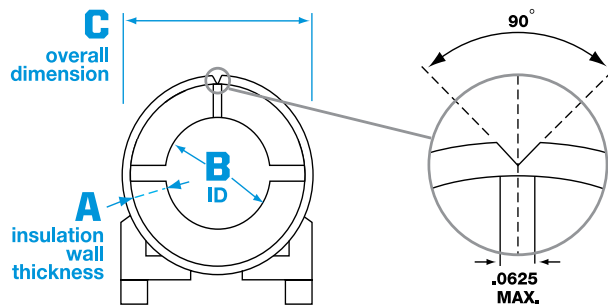
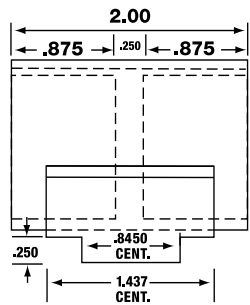
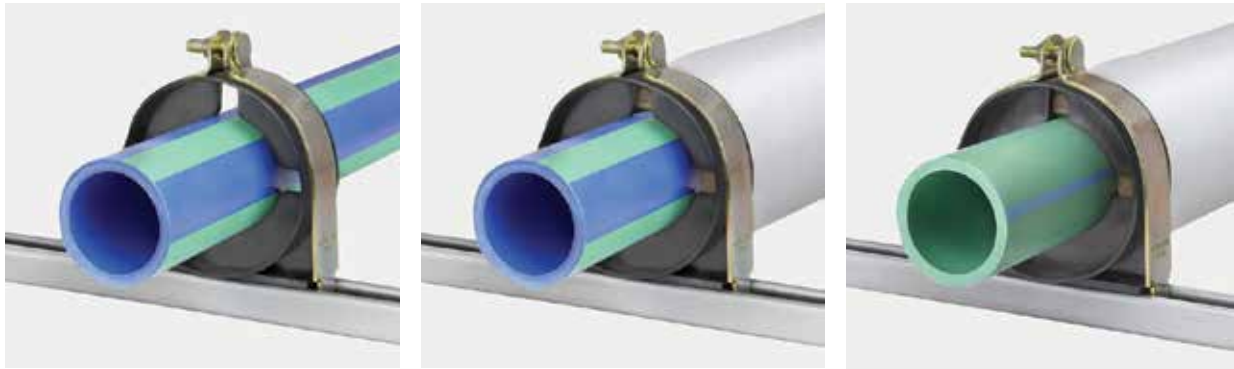
*Note: All metal parts have Tri-Valent plating. Please contact factory for 304 and 316 stainless steel hardware part numbers & pricing.



9-SERIES STRUT MOUNT INSULATION COUPLINGS

For use with metric pipe.

Includes Klo-Shure Coupling, clamp halves with welded fastener and locknut.



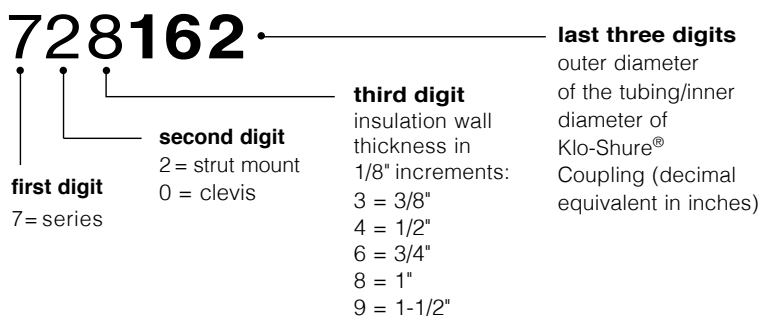
A	B	C	PART NO.	QUANTITY PER BOX
Klo-Shure® Strut Mounted Coupling for 1" wall insulation	25 mm	3.01	928M25	10
	32 mm	3.64	928M32	10
	40 mm	3.64	928M40	10
	50 mm	4.14	928M50	10
	63 mm	4.64	928M63	10
	75 mm	5.14	928M75	10
	90 mm	5.75	928M90	5
Klo-Shure® Strut Mounted Coupling for 1-1/2" wall insulation	110 mm	6.87	928M110	5
	25 mm	4.13	929M25	10
	32 mm	4.63	929M32	10
	40 mm	5.14	929M40	10
	50 mm	5.14	929M50	10
	63 mm	5.69	929M63	10
	75 mm	6.87	929M75	5
90 mm	6.87	929M90	5	

PART NUMBER SYSTEM FOR INSULATION COUPLINGS

7-SERIES STRUT MOUNT / PART NO. EXAMPLE:

All Klo-Shure® couplings consist of a 6-digit part number.
This shows the breakdown of typical **7-SERIES** part numbers.

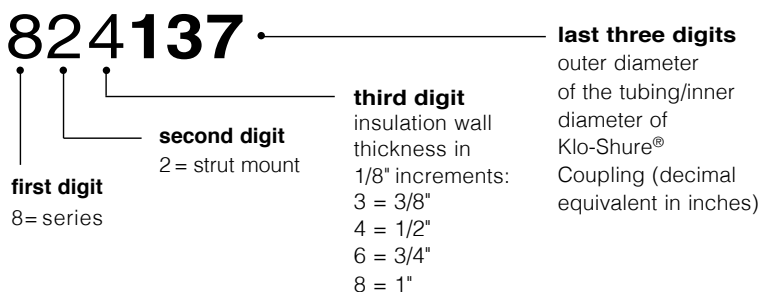
i.e. Strut mounted coupling for **1-5/8"** tube with **1"** wall insulation.



8-SERIES STRUT MOUNT / PART NO. EXAMPLE:

All Klo-Shure® couplings consist of a 6-digit part number.
This shows the breakdown of typical **8-SERIES** part numbers.

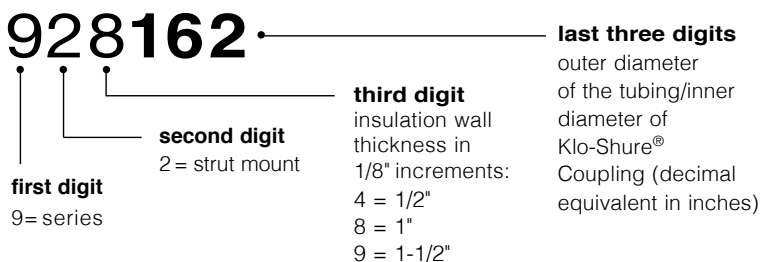
i.e. Strut mounted coupling for **1-3/8"** tube with **1/2"** wall insulation.



9-SERIES STRUT MOUNT / PART NO. EXAMPLE:

All Klo-Shure® couplings consist of a 6-digit part number.
This shows the breakdown of typical **9-SERIES** part numbers.

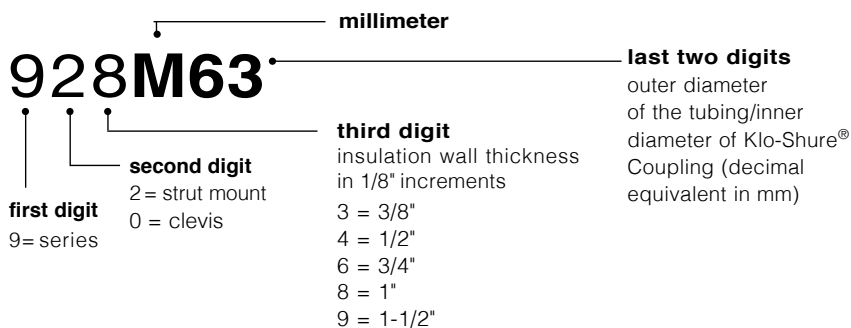
i.e. Strut mounted coupling for **1-5/8"** tube with **1"** wall insulation



9-SERIES STRUT MOUNT FOR METRIC PIPE / PART NO. EXAMPLE:

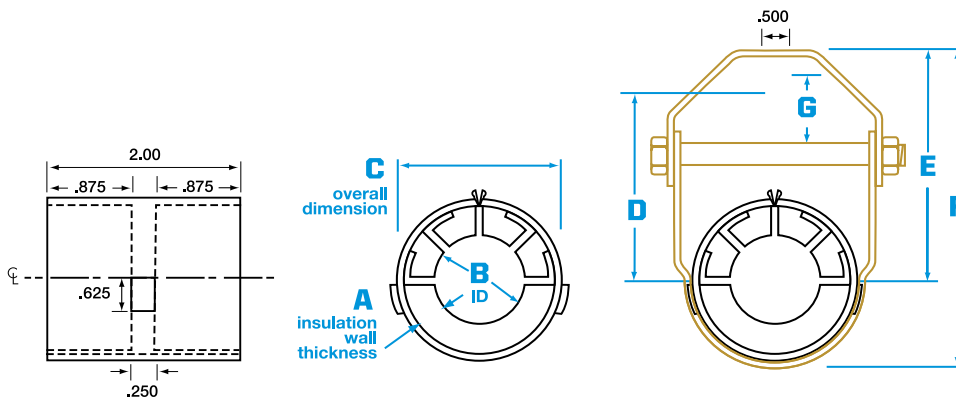
All Klo-Shure® couplings consist of a 6-digit part number.
This shows the breakdown of typical **9-SERIES FOR METRIC PIPE** part numbers.

i.e. Strut mounted coupling for **63mm** pipe with **1"** wall insulation



CLEVIS HANGER INSULATION COUPLINGS

Klo-Shure Clevis Hanger System includes clevis hanger, plastic coupling and fastening clip.



coupling "C" dimension	material size	cross bolt size	max recommended load/lbs
2.12 to 3.25	14 ga. x 1.25	5/16"	250
3.50 to 5.75	12 ga. x 1.25	5/16"	350

A	B	C	D	E	F	G	PART NO.
Klo-Shure® Clevis Hanger Coupling for 3/8" wall insulation	1/4" OD	1.12	-	-	-	-	703025*
	3/8" OD	1.25	-	-	-	-	703037*
	1/2" OD	1.37	-	-	-	-	703050*
	5/8" OD	1.50	-	-	-	-	703062*
	3/4" OD	1.62	-	-	-	-	703075*
	7/8" OD	1.75	2-1/2	3-3/8	4-3/8	7/16	703087
	1" OD	1.87	2-5/8	3-7/16	4-1/2	1/2	703100
	1-1/8" OD	2.00	2-7/8	3-1/2	4-5/8	5/8	703112
	1-3/8" OD	2.25	3-3/16	3-13/16	5	15/16	703137
	1-5/8" OD	2.50	3-1/2	4	5-1/2	1-1/16	703162
2-1/8" OD	3.00	4-3/16	4-3/4	6-1/2	1-5/16	703212	



A	B	C	D	E	F	G	PART NO.
Klo-Shure® Clevis Hanger Coupling for 1/2" wall insulation	3/8" OD	1.50	-	-	-	-	704037*
	1/2" OD	1.62	-	-	-	-	704050*
	5/8" OD	1.75	2-1/2	3-3/8	4-3/8	7/16	704062
	3/4" OD	1.87	2-5/8	3-7/16	4-1/2	1/2	704075
	7/8" OD	2.00	2-7/8	3-1/2	4-5/8	5/8	704087
	1" OD	2.12	3	3-5/8	4-7/8	7/8	704100
	1-1/8" OD	2.25	3-3/16	3-13/16	5	15/16	704112
	1-3/8" OD	2.50	3-1/2	4	5-1/2	1-1/16	704137
	1-5/8" OD	2.75	3-3/4	4-3/8	5-7/8	1-1/4	704162
	2-1/8" OD	3.25	4-1/2	5-1/8	6-7/8	1-7/16	704212
	2-5/8" OD	3.75	5	5-5/8	7-5/8	1-11/16	704262
	3-1/8" OD	4.25	5-13/16	6-7/16	8-3/4	2-1/8	704312
	3-5/8" OD	4.75	6-5/16	6-7/8	9-3/8	2-15/16	704362
4-1/8" OD	5.25	6-7/8	7-1/2	10-1/8	2-9/16	704412	
Klo-Shure® Clevis Hanger Coupling for 3/4" wall insulation	1/4" OD	1.87	2-5/8	3-7/16	4-1/2	1/2	706025
	3/8" OD	2.00	2-7/8	3-1/2	4-5/8	5/8	706037
	1/2" OD	2.12	3	3-5/8	4-7/8	7/8	706050
	5/8" OD	2.25	3-3/16	3-13/16	5	15/16	706062
	3/4" OD	2.37	3-5/16	3-15/16	5-1/4	1	706075
	7/8" OD	2.50	3-1/2	4	5-1/2	1-1/16	706087
	1-1/8" OD	2.75	3-3/4	4-3/8	5-7/8	1-1/4	706112
	1-3/8" OD	3.00	4-3/16	4-3/4	6-1/2	1-5/16	706137
	1-5/8" OD	3.25	4-1/2	5-1/8	6-7/8	1-7/16	706162
	2-1/8" OD	3.75	5	5-5/8	7-5/8	1-11/16	706212
	2-5/8" OD	4.25	5-13/16	6-7/16	8-3/4	2-1/8	706262
	3-1/8" OD	4.75	6-5/16	6-7/8	9-3/8	2-5/16	706312
	3-5/8" OD	5.25	6-7/8	7-1/2	10-1/8	2-9/16	706362
4-1/8" OD	5.75	7-1/4	7-7/8	10-3/4	2-3/4	706412	
Klo-Shure® Clevis Hanger Coupling for 1" wall insulation	5/8" OD	2.75	3-3/4	4-3/8	5-7/8	1-1/4	708062
	7/8" OD	3.00	4-3/16	4-3/4	6-1/2	1-5/16	708087
	1-1/8" OD	3.25	4-1/2	5-1/8	6-7/8	1-7/16	708112
	1-3/8" OD	3.50	4-3/4	5-3/8	7-1/4	1-9/16	708137
	1-5/8" OD	3.75	5	5-5/8	7-5/8	1-11/16	708162
	2-1/8" OD	4.25	5-13/16	6-7/16	8-3/4	2-1/8	708212
	2-5/8" OD	4.75	6-5/16	6-7/8	9-3/8	2-5/16	708262
	3-1/8" OD	5.25	6-7/8	7-1/2	10-1/8	2-9/16	708312
	3-5/8" OD	5.75	7-1/4	7-7/8	10-3/4	2-3/4	708362

Note: *Part number includes plastic coupling only. All metal parts have Tri-Valent plating.



TITAN® INSULATION RISER CLAMP SERIES

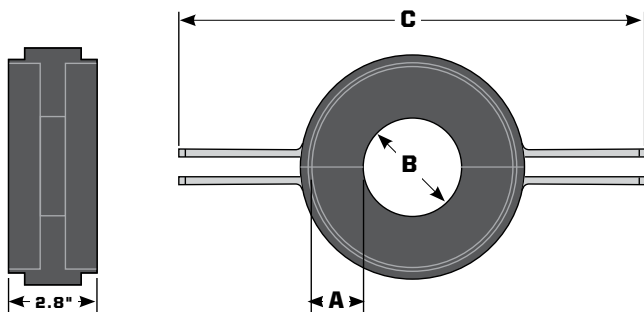
The patented Titan riser is made to fit insulated pipe and create a clean vapor barrier on vertical pipe runs. Klo-Shure Titan riser will dramatically improve the fit and finish of insulated tube and pipe runs.



Features:

- **Made in USA**
- Superior vapor barrier
- Three times faster installation of insulation
- Crush resistant design
- Dramatically improved finished appearance of insulated tube and pipe runs
- Eliminates insulation compression
- Available for 7/8" to 4-1/8" OD tube
- Insulation wall thickness from 1" to 1-1/2"
- Molded with high strength TPO plastic
- Vertical load rating range: Up to 2400 lbs.





A	B	C	PART NO.	LOAD DATA*
1" wall insulation	7/8" OD	10.125	R087100	200 lb
	1-1/8" OD	10.875	R112100	400 lb
	1-3/8" OD	11.500	R137100	800 lb
	1-5/8" OD	11.500	R162100	800 lb
	2-1/8" OD	11.500	R212100	1,400 lb
	2-5/8" OD	12.500	R262100	1,600 lb
	3-1/8" OD	12.500	R312100	2,100 lb
	4-1/8" OD	13.800	R412100	2,400 lb
1-1/2" wall insulation	7/8" OD	10.875	R087150	300 lb
	1-1/8" OD	10.875	R112150	400 lb
	1-3/8" OD	11.500	R137150	600 lb
	1-5/8" OD	11.500	R162150	900 lb
	2-1/8" OD	12.000	R212150	1,400 lb
	2-5/8" OD	12.000	R262150	900 lb
	3-1/8" OD	13.000	R312150	1,400 lb
	4-1/8" OD	15.625	R412150	2,200 lb

* Load data based on 200 inch/lb. torque.



Upper floor insulation from above.

Riser clamp assembly secures and supports the weight of pipe or tubing.

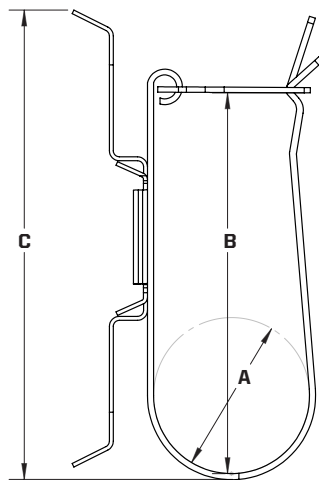
Pipe or tubing and insulation come up through floor.

TRH HANGER SYSTEM

Supports a pair of insulated flow and return refrigerant lines on 1/4" to 3/8" threaded rod. Simply fold the lock-tab over to secure the lines into the strap. The spring steel hanger grips the rod tightly, and the black zinc coating offers corrosion resistance while matching the insulation color. The clamp can be detached from the rod hanger and used to secure lines to flat surfaces.



PART NO.	THREADED ROD DIAMETER	A	B	C
TRH-2 (PACK OF 10)	1/4" - 3/8"	1.28	3.12	3.82
TRH-3 (PACK OF 10)	1/4" - 3/8"	1.40	3.28	3.70
TRH-4 (PACK OF 10)	1/4" - 3/8"	2.40	4.17	5.00
TRH-5 (PACK OF 5)	1/4" - 3/8"	3.38	6.26	7.03



Works with 1/4"-3/8" threaded rod

Supports a pair of insulated liquid and suction lines

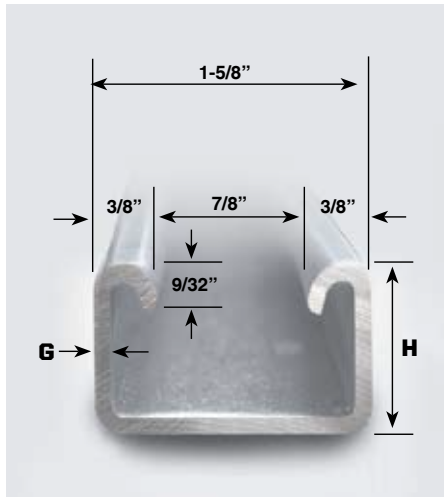
Spring steel rod hanger can be fitted or adjusted in seconds



ANCHOR CHANNEL PART NUMBERS AND SPECIFICATIONS

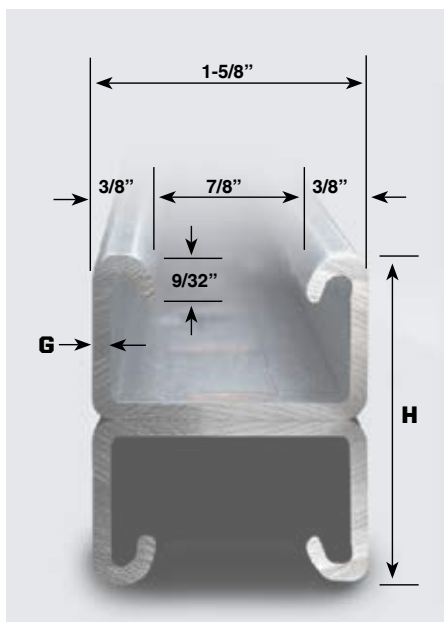
For mounting cushion clamp assemblies.
Available in single or double format (two channels welded back-to-back).

SINGLE ANCHOR CHANNEL



PART NO.	HEIGHT (H)	GAUGE (G)	MATERIAL	LENGTH
121048-1-203	1"	12 GA.	Mild Steel	48"
121120-1-203	1"	12 GA.	Mild Steel	120"
121048-1-202	7/8"	12 GA.	Mild Steel	48"
121120-1-202	7/8"	12 GA.	Mild Steel	120"
121048-1-101	13/16"	14 GA.	Mild Steel	48"
121120-1-101	13/16"	14 GA.	Mild Steel	120"
121048-5-101	13/16"	14 GA.	304 SS	48"
121120-5-101	13/16"	14 GA.	304 SS	120"
121048-6-101	13/16"	14 GA.	316 SS	48"
121120-6-101	13/16"	14 GA.	316 SS	120"

DOUBLE ANCHOR CHANNEL



PART NO.	HEIGHT (H)	GAUGE (G)	MATERIAL	LENGTH
122048-1-203	2"	12 GA.	Mild Steel	48"
122120-1-203	2"	12 GA.	Mild Steel	120"
122048-1-202	1-3/4"	12 GA.	Mild Steel	48"
122120-1-202	1-3/4"	12 GA.	Mild Steel	120"
122048-1-101	1-5/8"	14 GA.	Mild Steel	48"
122120-1-101	1-5/8"	14 GA.	Mild Steel	120"
122048-5-101	1-5/8"	14 GA.	304 SS	48"
122120-5-101	1-5/8"	14 GA.	304 SS	120"
122048-6-101	13/16"	14 GA.	316 SS	48"
122120-6-101	13/16"	14 GA.	316 SS	120"

Note: Special lengths are available; please contact your local distributor or the factory.
All special cut tolerances are ~1/8".

HYDRA-ZORB® COMPONENT PARTS LIST*

PART NO. OD TUBE SERIES	OD TUBE SIZE	PART NO. NOM PIPE SIZE	NOM PIPE SIZE	PART NO. MM SERIES	MM SIZE	CUSHION NUMBER	CUSHION ID SIZE (inches)	CUSHION ID SIZE (mm)	CLAMP NUMBER	CLAMP SIZE (inches)	FASTENER
100025	1/4"			6MMHZ	6	1 .250	0.250	6.3	101037	0.375	1/4-20
100031	5/16"			8MMHZ	8	1 .312	0.312	7.9	101050	0.500	1/4-20
100037	3/8"			10MMHZ	10	1 .375	0.375	9.5	101050	0.500	1/4-20
100047	.47"			12MMHZ	12	1 .470	0.470	11.9	101062	0.625	1/4-20
100050	1/2"			13MMHZ	13	1 .500	0.500	12.7	101062	0.625	1/4-20
		200025	1/4"	14MMHZ	14	2 .250	0.540	13.7	101067	0.675	1/4-20
				15MMHZ	15	1 .625	0.625	15.9	101067	0.675	1/4-20
100062	5/8"			16MMHZ	16	1 .625	0.625	15.9	101075	0.750	1/4-20
		200037	3/8"	17MMHZ	17	2 .375	0.675	17.1	101084	0.840	1/4-20
				18MMHZ	18	2 .375	0.675	17.1	101087	0.875	1/4-20
100075	3/4"			19MMHZ	19	1 .750	0.750	19.0	101100	1.000	1/4-20
				20MMHZ	20	1 .750	0.750	19.0	101100	1.000	1/4-20
		200050	1/2"		21	2 .500	0.840	21.3	101112	1.125	1/4-20
100087	7/8"			22MMHZ	22	1 .875	0.875	22.2	101112	1.125	1/4-20
				25MMHZ	25	1 1.00	1.000	25.0	100125	1.250	1/4-20
100100	1"			26MMHZ	26	1 1.00	1.000	25.4	101125	1.250	1/4-20
		200075	3/4"	27MMHZ	27	2 .750	1.050	28.0	101137	1.375	1/4-20
100112	1-1/8"			28MMHZ	28	1 1.12	1.125	29.2	101137	1.375	1/4-20
100119	1.19"			30MMHZ	30	1 1.19	1.190	30.2	101150	1.500	1/4-20
100125	1-1/4"			32MMHZ	32	1 1.25	1.250	31.8	101150	1.500	1/4-20
		200100	1"	34MMHZ	34	2 1.00	1.315	33.5	101175	1.750	5/16-18
100137	1-3/8"			35MMHZ	35	1 1.37	1.375	34.9	101162	1.620	5/16-18
100150	1-1/2"			38MMHZ	38	1 1.50	1.500	38.1	101175	1.750	5/16-18
				40MMHZ	40	1 1.50	1.500	40.0	101187	1.870	5/16-18
100162	1-5/8"				41	1 1.62	1.625	41.1	101187	1.870	5/16-18
		200125	1-1/4"	42MMHZ	42	2 1.25	1.660	42.2	101200	2.000	5/16-18
100175	1-3/4"			45MMHZ	45	1 1.75	1.750	44.5	101200	2.000	5/16-18
100187	1-7/8"	200150	1-1/2"	48MMHZ	48	2 1.50	1.900	48.2	101225	2.250	5/16-18
				50MMHZ	50	1 2.00	2.000	50.0	101225	2.250	5/16-18
100200	2"			51MMHZ	51	1 2.00	2.000	50.8	101225	2.250	5/16-18
100212	2-1/8"			54MMHZ	54	1 2.12	2.125	54.1	101250	2.500	5/16-18
100225	2-1/4"				57	1 2.25	2.250	57.1	101275	2.750	5/16-18
100237	2-3/8"	200200	2"	60MMHZ	60	2 2.00	2.375	60.4	101275	2.750	5/16-18
				63MMHZ	63	1 2.50	2.500	63.0	101300	3.000	5/16-18
100251	2-1/2"			64MMHZ	64	1 2.50	2.500	63.5	101300	3.000	5/16-18
100262	2-5/8"			66MMHZ	66	1 2.62	2.625	66.5	101300	3.000	5/16-18
	2-7/8"	200250	2-1/2"	72MMHZ	72	2 2.50	2.875	73.2	101337	3.370	5/16-18
				75MMHZ	75	1 3.00	3.000	75.0	101337	3.370	5/16-18
100300	3"				77	1 3.00	3.000	76.2	101350	3.500	5/16-18
100312	3-1/8"			80MMHZ	80	1 3.12	3.120	79.2	101350	3.500	5/16-18
100337	3-3/8"				86	2 3.00	3.370	88.9	101375	3.750	3/8-16
	3-1/2"	200300	3"	90MMHZ	90	2 3.00	3.500	88.9	101387	3.875	3/8-16
100362	3-5/8"				92	2 3.00	3.625	88.9	101400	4.000	3/8-16
100400	4"	200350	3-1/2"		102	2 3.50	4.000	101.6	101450	4.500	3/8-16
100412	4-1/8"				105	2 3.50	4.120	105.0	101462	4.625	3/8-16
100425	4-1/4"				108	2 3.50	4.250	108.0	101475	4.750	3/8-16
100431				110MMHZ	110	2 4.00	4.310	111.0	101487	4.875	3/8-16
100437	4-3/8"				111	2 4.00	4.370	111.0	101487	4.875	3/8-16
	4-1/2"	200400	4"		113	2 4.00	4.500	113.0	101500	5.000	3/8-16
100462	4-5/8"				118	2 4.00	4.620	118.0	101512	5.125	3/8-16
100492				125MMHZ	125	2 4.00	4.920	125.0	101550	5.500	3/8-16
100500	5"				127	1 5.12	5.000	127.0	101550	5.500	3/8-16
100512	5-1/8"				130	1 5.12	5.125	130.0	101550	5.500	3/8-16
		200500	5"		141	2 5.00	5.563	141.2	101600	6.000	3/8-16
100600	6"				152	1 6.12	6.000	152.0	101637	6.375	3/8-16
100612	6-1/8"				155	1 6.12	6.125	155.0	101637	6.375	3/8-16
100631				160MMHZ	160	2 6.00	6.310	160.0	101637	6.375	3/8-16
100637	6-3/8"				162	2 6.00	6.370	162.0	101675	6.750	3/8-16
100650	6-1/2"				165	2 6.00	6.500	165.0	101700	7.000	3/8-16
	6-5/8"	200600	6"		165	2 6.00	6.625	165.0	101700	7.000	3/8-16
	8-5/8"	200800	8"		200	2 8.00	8.625	200.0	101912	9.125	3/8-16

* See Terms and Conditions of Sale

TERMS AND CONDITIONS OF SALE

Agreements:

All agreements are subject to availability of material, accidents, or other causes beyond our control.

Warranty:

Hydra-Zorb Co. (Company), warrants only products manufactured by Company to be free from defects for a period of 12 months from shipment date. Products must be used for their intended purpose. If goods are found to be defective, Company will replace the product but will not be responsible for labor or expense of replacing or repairing defective goods or damage resulting from same. The Company makes no other warranty of any kind, expressed or implied. Any implied warranties made by resellers of Company's product are hereby disclaimed by Company and are excluded from this warranty. Warranty will be void if Company manufactured clamps and/or cushions are substituted with components produced by other manufacturers.

Claims:

No claims for shortages allowed unless made in writing within ten days of receipt of goods. All materials sent out will be carefully examined, counted, and packed. Claims for goods damaged or lost in transit should be made to the carrier, as our responsibility ceases on delivery to the carrier.

Returns:

Complete customer satisfaction is our goal. However, if our product does not meet your expectations, we offer the following return policies:

1. Return requests must occur within 30 days of shipment. No return requests will be honored more than 30 days after the original shipment date.
2. All returns are at the discretion of the Company, and we reserve the right to limit or refuse a return for any reason.
3. Special order products cannot be returned. This includes, but is not limited to, custom labeled product, all anchor channel, and stainless steel, hot-dip galvanized and aluminum assemblies.
4. Requests to return product must be accompanied by the original invoice number, sales order number, or purchase order number on which the purchase occurred.

5. Return Material Authorization (RMA) must be issued by Company before return shipment occurs. RMA # must be clearly marked on all packages.

6. Product returns are subject to a 35% restocking fee. Parts must be in unopened, saleable condition, and include all component parts.

7. Upon receipt of the return, product will be inspected. Any parts requiring new packaging will be subject to a 50% restocking fee.

8. Return freight charges must be prepaid by Customer.

9. Upon inspection of parts, a credit will be issued to your account which may be applied to open invoices or future invoices. Cash refunds will not be issued.

10. This Agreement and the rights and obligations of the parties hereunder shall be governed exclusively by the applicable laws of the State of Michigan. Further any and all disputes hereunder shall be resolved exclusively by the courts located in Oakland County, Michigan and the parties stipulate to exclusive jurisdiction in Oakland County, Michigan to resolve any said disputes.

11. Any and all costs and expenses of the Company, including all reasonable attorney fees, incurred in enforcing its rights hereunder shall be recoverable from Purchaser hereunder.

Terms And Design:

Subject to change without notice. Refer to current price list for terms of sale. Hydra-Zorb reserves the right to revise product design, product offerings, and catalog without notification.

Freight Terms:

All prices are F.O.B. point of shipment.

Dimensions And Weights:

Although the Company makes every attempt to be as accurate as possible, all listed dimensions and weights are approximations and are not guaranteed.

International Shipments:

Purchaser is responsible for any import duty or fees related to your purchase.

THE ORIGINAL CUSHION CLAMP | SINCE 1966



www.hydra-zorb.com

1751 Summit Drive
Auburn Hills, MI 48326
ph: 248-373-5151
fax: 248-373-0711

